

A self-powered 6 digit LCD predetermining counter with typical 10 year operating life suitable for replacing electro-mechanical predetermining counters in a DIN case with protection to IP65



The LCD panel of this counter has two rows of 6 digits each. The upper characters are 7mm high and indicate the count value. The lower characters are 4mm high and indicate the preset point. It will count up to, or down from, the preset value and operate the output relay when the count reaches up to the preset or down to zero.

- **Easy to operate.**
- **Locatable decimal point (up to 3 places).**
- **Front panel programming via 6 keys (one for each digit) and a manual reset key.**
- **Reset is user configurable to reset to zero (adding) or reset to preset (subtracting).**
- **Manual and electrical reset.**
- **Front panel keys can be remotely enabled and disabled.**
- **Front panel sealing to IP65 using the sealing gasket supplied.**
- **Opto-isolated count and reset inputs.**
- **Operates for up to 10 years @ 20°C or 10⁶ relay operations, with internal user replaceable lithium batteries.**

■ **Relay contacts are rated at 8A programmable to NO or NC.**

■ **Range of bezels available to fit existing panel cutouts of all the popular sizes of electro-mechanical counters.**

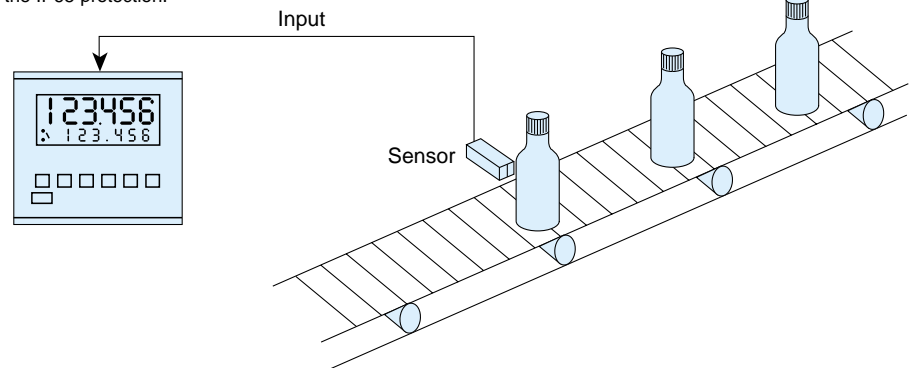
■ **CE approved.**

Connection to the unit is via plug-in finger proof screw terminals on the rear panel each accommodating up to 2 x 2.5mm² conductors. A panel mounting clip and bezel adaptor, for existing 50 x 50mm panel cutouts, is provided although using the bezel adaptor will not achieve the IP65 protection.

Typical Application

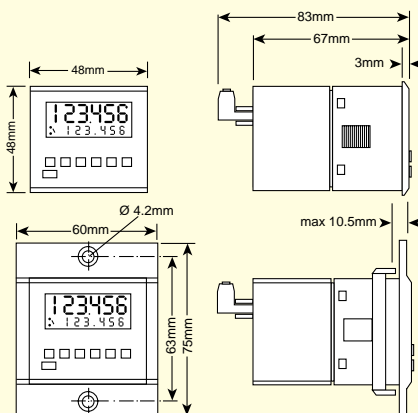
The 7911 replaces electro-mechanical units and has applications in:

- *Batch counting and control
- *Coil winding and wire cutting
- *Length measurement
- *Packing line control



Dimensions

48mm x 48mm (1.89 x 1.89in). 83mm (3.27in) depth incl rear connectors



Specification

Display

2 rows of 6 digits, black on silver LCD. Upper row 7mm high indicates count, lower row 4mm high indicates preset. Also Relay Active and Lo-bat annunciators. Leading zero blanking

Preset Point

Single user selectable preset point.

Opto-isolated Count and Reset Inputs

12 - 250VAC or DC.

Maximum Input Frequency

25Hz

Reaction Time of Inputs

Reset 50ms, keyboard disable 15ms

Output Relay

Programmable as NO or NC. SPST rated at 8A 230VAC or 220VDC. Reaction time <20ms

Operating Temp.

-10°C to +60°C

Storage Temp.

-20°C to +70°C

Environmental Protection

IP65 when properly installed using the sealing gasket supplied

WARNING: THIS PRODUCT CONTAINS A LITHIUM BATTERY AND MUST NOT BE CUT OPEN, DISPOSED OF IN A FIRE OR EXPOSED TO TEMPERATURES OUTSIDE THE RANGE -20°C TO +60°C.

Ordering Information

Order by type number:

7911