

308 Loop powered 4..20 mA LED-display for pressure sensors

- Display with an adapter for pressure sensors
- 4-digit processor based display
- Without external power supply
- Excellent for factory start-up
- Scaling on front panel
- Password configuration
- Standard adapter connection (DIN43650)
- Case protection IP65



The 308 is a microprocessor controlled display for use with standard 4-20 mA signals for universal applications. The low-cost display is ideal for use in for instance factory start-ups, because it is easy to install, and remove, wherever measurement is needed.

Loop powered bright red LED-displays do not need any external power supply. Current signal 4-20 mA provides the necessary energy. You can now replace the autopowered LCD-displays, having very poor visibility, by bright red LED-displays.

The operating display range can be set up directly without requiring any calibration equipment by simply entering the minimum and maximum range limits via front panel keys. All the programmable parameters are saved on EEprom, which will store them for at least 30 years without power.

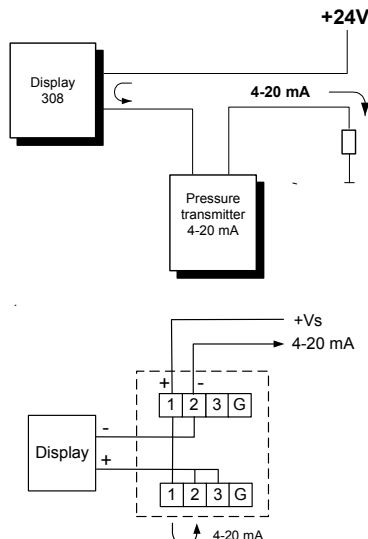
The 308 has a digital filter for stabilizing the 4-digit display. You may configure two optional alarms, low and high, which are shown on the front panel only. A password can be set for entering the configuration menu and alarms.

Technical specifications:

Input	4..20 mA linear or square root
Display range	-999..+9999
Display scaling	freely via front panel keys
Decimal point	freely selectable
Filter	adjustable digital filter
Alarms	two LEDs on the front panel
Accuracy	0.05% of span
Input resistance	240 Ω (voltage drop= 4,8V)
Display	4-digit red LED, 14.5 mm, adjustable brightness
Case protection	IP65
Case material	ABS-plastic, grey
Operating temperature	0...+60 °C
Relative atmospheric humidity	0 to 80% (non-condensing)
Terminals of the display	removable 2,5 mm ²
Adapter	DIN 43650 connector, 3 pole+ GR
Weight	200 g

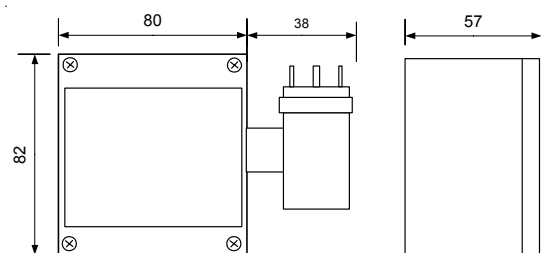
How to order: 308-4/20mA

Connections:



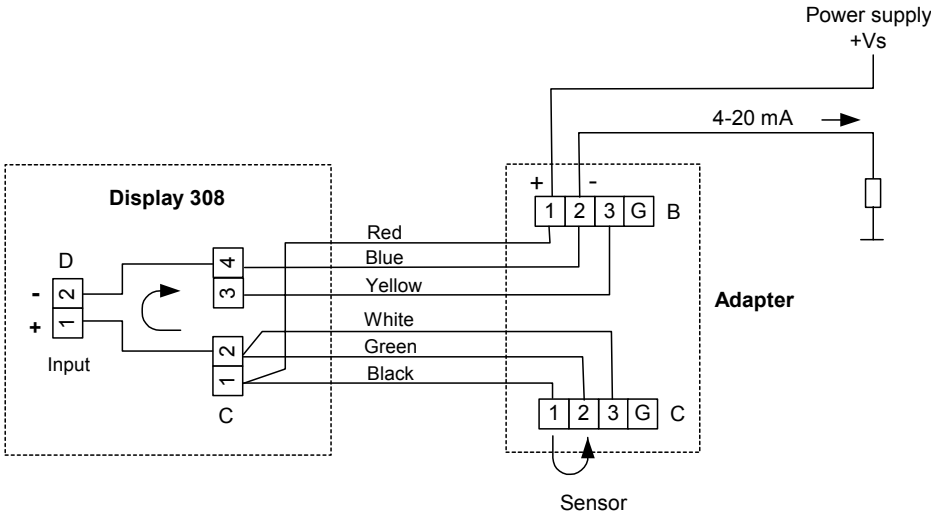
Connections depend on the used pressure sensor.
Polarity of the display can be changed inside the display.

Dimensions in mm

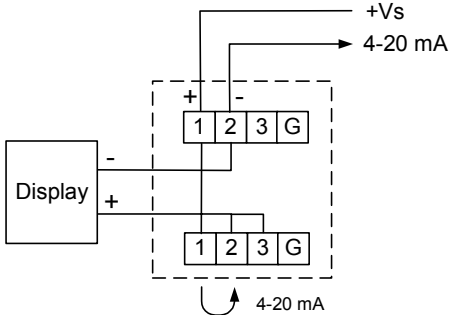


Connection:
Adapter DIN 43650, 3 pole +earth

Adapter connections



Connections depend on the used pressure sensor and can be changed on the terminal C inside the display.



The display 308 is delivered according to shown connections