

## 910-2011 and 920-2011 Large panel displays for process inputs

- Process inputs 0/4..20 mA, 0..5/10 V, potentiom.
- 4- or 5-digit processor-based LED displays
- Digit sizes 57 mm and 100 mm
- Display scaling with keys and a minidisplay
- 2 adjustable alarm relays as an option
- Alarm reset, display hold and taring by external contact
- Power supply 24 VDC
- Front panel protection IP54



Digit size 57 mm

The large panel display series 2011 is designed for usual process inputs 0/4..20 mA, 0..5/10 V and for potentiometers 100 ohm..10 kohm in applications where a readability of 20 to 50 metres is required.

Selection of the sensor type and display scaling is easy with the configuration keys and a 6-digit minidisplay on the back panel. 2 alarm relays with change-over contacts are available as an option. Alarm limits and hysteresis are freely selectable via back panel keys. The display can be damped by a digital filter if necessary. The number of decimals is selectable.

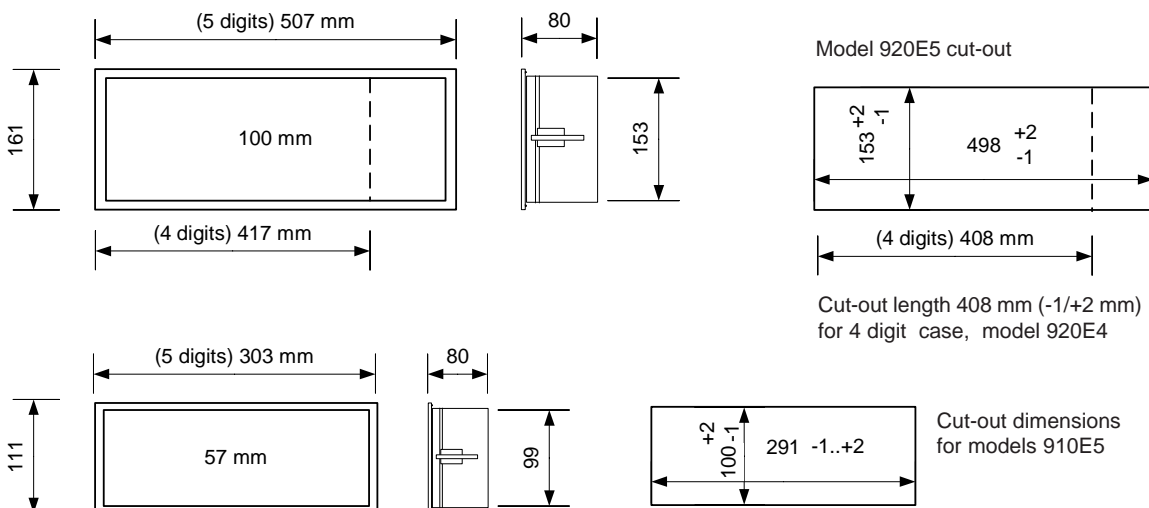
The power supply is 24 VDC with galvanic isolation. The panel display provides a voltage supply of 24 VDC, 40 mA for sensors.

Analog conversion is done by a 15-bit AD-converter (resolution 1/32000) and the number of measurements is 7 per second. Separate passwords can be set for access to the configuration menu and alarms. Front panel protection rating is IP54.

Large panel displays can easily be modified for other sensor types by only changing the input card for frequency, pulse or serial bus inputs.

Readability of displays:	Digit size	Distance
	57 mm	20..30 m
	100 mm	40..50 m

### Case dimensions



# Technical specifications:

**Process inputs:** 0..20 mA, 4..20 mA, 0..5 V and 0..10V  
 Display scaling on the whole display range  
 Input resistance current input 50Ω, voltage input >1 MΩ  
 Accuracy 0,05 % FS  
 Linearity 0,01 % FS  
 Supply for transmitter 24 VDC, max. 40 mA

**Potentiometer input:** 100Ω -10kΩ  
 Reference voltage 2,5 V, max load 25 mA  
 Voltage stability 150 ppm/°C  
 Accuracy 0,05 % FS

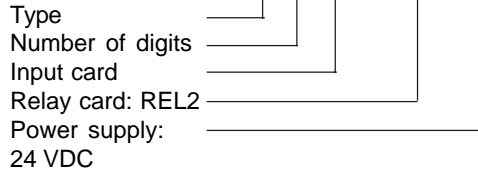
**Alarms (optional):** 2 alarms with change-over contacts, relays max 240 VAC, 2 A, hysteresis 0..100 %.  
 Alarm reset: automatic or manual by external contact or via configuration keys.  
 Reversible function available for relays.

**General:**  
 Display bright red LED  
 Input filter adjustable digital filter  
 External contact display hold, alarm reset or display taring  
 AD-conversion 15 bits (1/32000)  
 Configuration keys and a minidisplay on the back panel  
 Temperature effect 0,002 °C/°C  
 Operating temp. -10..+60 °C  
 Power supply 24 VDC  
 Consumption 15 W  
 Terminals removable, wire 2,5 mm<sup>2</sup>  
 Case material black anodized aluminium  
 Front panel protection IP54  
 Weight 910E5: 1,8 kg; 920E4: 2,5 kg; 920E5: 3 kg

## Types:

- 910E5-2011** 5 digits, digit height 57 mm, red LED
- 920E4-2011** 4 digits, digit height 100 mm, red LED
- 920E5-2011** 5 digits, digit height 100 mm, red LED

## How to order: 920E4-2011-REL2-24VDC

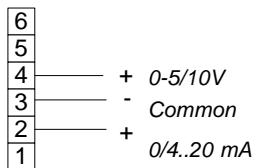


## Optional cards:

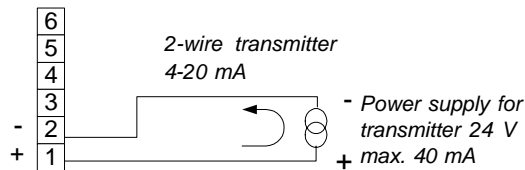
Alarm card, 2 relays 2000-REL2  
 (When ordering a panel display, the "2000" of the card is left out.)

## Connections:

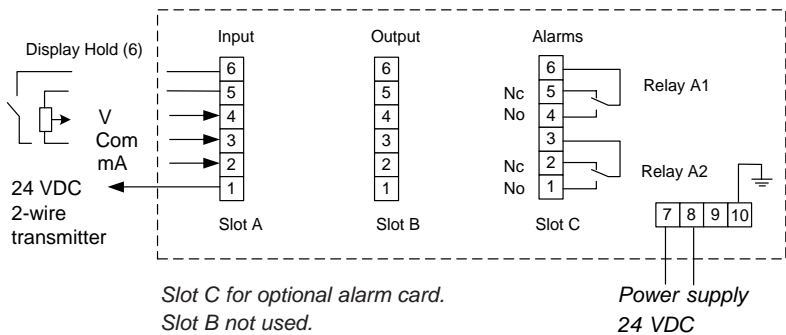
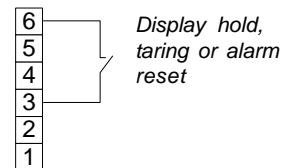
### Voltage / current-input



### 2-wire transmitter



### Closing contact



### Potentiometer

