

Bargraph Panel Meter

PB-1471

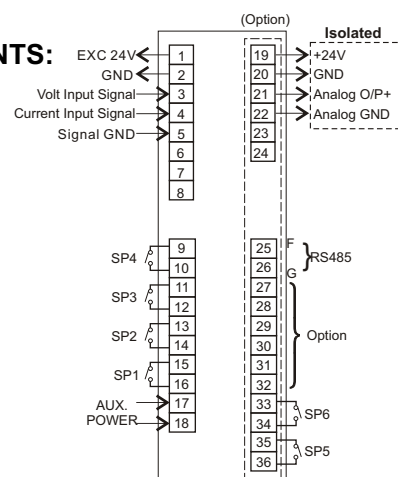


FEATURES:

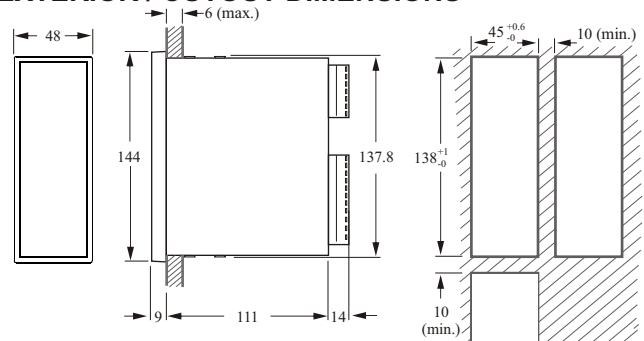
- 4 Digit LED Numeric Display
- 101-segment LED Bargraph display
- Wide Range of User Definable Scaling
- Modular input signal boards available for different applications
- Optional output boards with isolated analogue & relay outputs
- Switch mode power supply 85V~265VAC or 18~36VDC
- Volume conversion for non-linear tanks (optional)

TERMINAL

ARRANGEMENTS:



EXTERIOR / CUTOUT DIMENSIONS



ORDERING INFORMATION:

SPECIFICATIONS	
Dimension (mm)	48 (W) x144 (H) x121.5 (D) DIN 3/16
Model	PB-1471
Power Supply	85 ~ 265V AC or 18~36V DC Switching Power Supply
Power Supply for sensor	DC24V, 50mA
Display	4 Digits, 0.36" 7-Segment red LED Display 101 LED Bargraph Display 6 LED set-point indicator Display Range: -1999 ~ +9999 Over Range Display: "1" or "-1"
Input Signal	Range: Refer to Ordering information Accuracy: 0.1%FS or 1 digit ADC Resolution: 4-1/2 digit Sampling Rate: 2 samples/second/channel
Relay Contact	4 relay (up to 6 relay) 3A/250V AC or 5A/30V DC (N.C. / N.O. Jumper selectable)
Analog Output	4~20mA, 0~20mA, 2~10V & 0~10V options
Communication port	RS485 (optional) Modbus Protocol
Operating condition	0~50°C (20 to 90% RH non-condensed)
Storage condition	0~70°C (20 to 90% RH non-condensed)

Code	Product
PB-1471	Microprocessor Bargraph Display Panel Meter
Code	Power Supply
S	85~265V AC (standard)
T	18~36V DC
Code	Input Signal (CH1)
01	4~20mA DC with Exc 24V
02	0~20mA DC with Exc 24V
03	0~200mA DC with Exc 24V
04	5V DC with Exc 24V
05	10V DC with Exc 24V
06	20V DC with Exc 24V
07	200V DC with Exc 24V
A1	2mA AC RMS
A2	20mA AC RMS
A3	200mA AC RMS
A4	1A AC RMS
A5	5A AC RMS
B1	100mV AC RMS
B2	200mV AC RMS
B3	2V AC RMS
B4	20V AC RMS
B5	200V AC RMS
B6	600V AC RMS
Code	Relay Contact
4	4 Relays (standard)
6	6 Relays
Code	Non-Linear Function
0	Without (Standard)
1	Support 20 points Vessel conversion
Code	Analogue Output
0	Without
1	0~10V Analogue Output
2	0/4~20mA or 0~10V Output (Jumper selectable)
Code	Communication Port
0	Without
1	Support RS485 interface

Measurement & Control Technology Ltd

4 Weston Close Cannock Staffs UK WS11 7YX
 Tel: 44(0)1543 495780 Fax: 44(0)1543 495785
 Website: www.mct-ltd.co.uk
 Email: sales@mct-ltd.co.uk

Bargraph Panel Meter

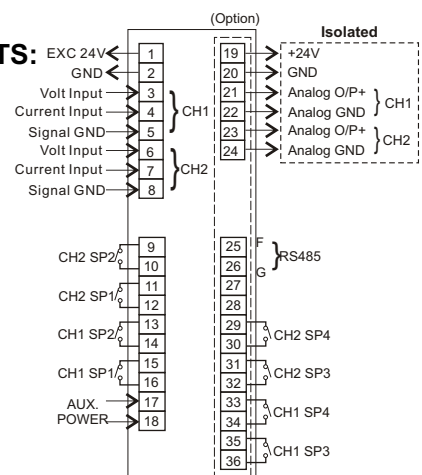
PB-2471



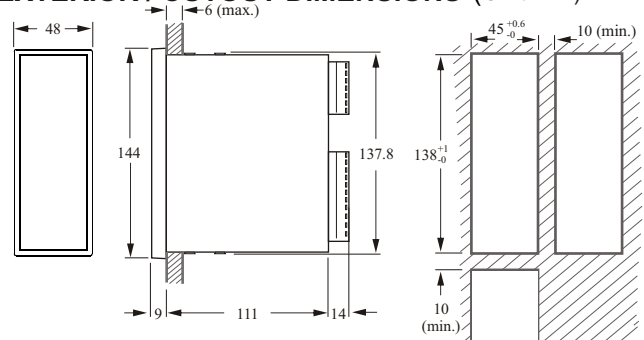
FEATURES:

- Dual 4 Digit LED Numeric Display
- Dual 101-segment LED Bargraph displays
- Wide Range of User Definable Scaling
- Modular input signal boards available for different applications
- Optional output boards with isolated analogue & relay outputs
- Switch mode power supply 85V~265VAC or 18~36VDC
- Volume conversion for non-linear tanks (optional)

TERMINAL ARRANGEMENTS:



EXTERIOR / CUTOUT DIMENSIONS (Unit:mm)



SPECIFICATIONS

Dimension (mm)	48 (W) x144 (H) x121.5 (D) DIN 3/16
Model	PB-2471
Power Supply	85 ~ 265V AC or 18~36V DC Switching Power Supply
Power Supply for sensor	DC24V, 50mA
Display	Dual 4 Digits, 0.36" 7-Segment LED Display 101 LED Bargraph Display 4 LED set-point indicator Display Range: -1999 ~ +9999 Over Range Display: "1" or "-1"
Input Signal	Range: Refer to Ordering information Accuracy: 0.1%FS or ± 1 digit ADC Resolution: 4-1/2 digit Sampling Rate: 2 samples/second/channel
Relay Contact	4 relay (up to 8 relay) 3A/250V AC or 5A/30V DC (N.C. / N.O. Jumper selectable)
Analog Output	4~20mA, 0~20mA, 2~10V & 0~10V options
Communication port	RS485 (optional) Modbus Protocol
Operating condition	0~50°C (20 to 90% RH non-condensed)
Storage condition	0~70°C (20 to 90% RH non-condensed)

ORDERING INFORMATION:

Code	Product
PB-2471	Microprocessor Bargraph Display Panel Meter
Code	Power Supply
S	85~265V AC (standard)
T	18~36V DC
Code	Input Signal (CH1)
1	4~20mA DC with Exc 24V
2	0~20mA DC with Exc 24V
3	0~200mA DC with Exc 24V
4	5V DC with Exc 24V
5	10V DC with Exc 24V
6	20V DC with Exc 24V
7	200V DC with Exc 24V
Code	Input Signal (CH2)
1	4~20mA DC with Exc 24V
2	0~20mA DC with Exc 24V
3	0~200mA DC with Exc 24V
4	5V DC with Exc 24V
5	10V DC with Exc 24V
6	20V DC with Exc 24V
7	200V DC with Exc 24V
Code	Relay Contact
4	4 Relays (standard)
8	8 Relays
Code	Non-Linear Function
0	Without (Standard)
1	Support 20 points Vessel conversion
Code	Analogue Output
0	Without
5	Dual Analogue Output 0~10V
6	Dual Analogue Output 0/4~20mA or 0~10V (jumper selectable)
Code	Communication Port
0	Without
1	Support RS485 interface

Measurement & Control Technology Ltd

4 Weston Close Cannock Staffs UK WS11 7YX
 Tel: 44(0)1543 495780 Fax: 44(0)1543 495785
 Website: www.mct-ltd.co.uk
 Email: sales@mct-ltd.co.uk